

MAXI MIX®

WHAT IS THE MAXI MIX?

- 120 X 36 X 8,5 cm - 47 X 14 X 3.3 "
- 380 W Max Consumption
- 8 kg - 17.6 lb
- 24 TO 35 VDC - *minimum battery load 15 Amp*
- 1700K TO 10000K
- FULL COLOR (MIX TECHNOLOGY)
- TRUE ROSCO COLOR™
- FLICKER FREE
- 3 YEAR WARRANTY
-  **RoHS CE**

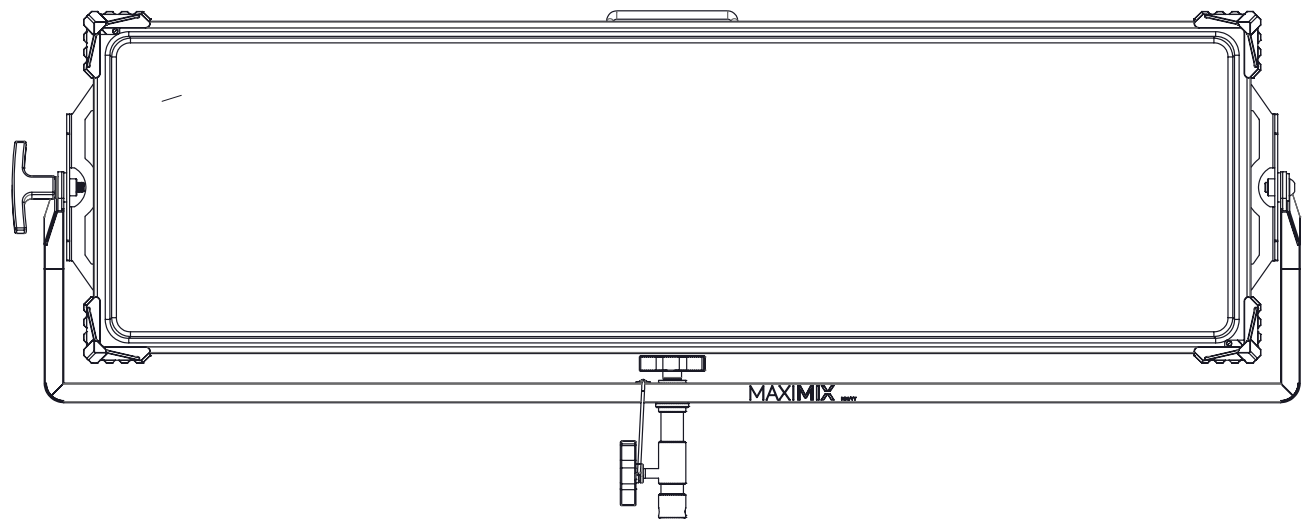


TABLE OF CONTENT

SAFETY AND PRECAUTIONS	03
ASSEMBLY AND MOUNTING	04-07
MIX CONTROLLER USAGE EXAMPLE	08
MAXI MIX CONTROLLER	09

SAFETY AND PRECAUTIONS

General precautions

- DMG Lumière products are made to be used by trained professionals only.
- DMG Lumière products are not for household use.

Risk of falling

- All lights must be secured with an appropriate safety system (additionally to the mounting system provided). All lamp heads have security cables attached for this purpose. If not used, there is a high risk of accident, falling or death.
- Make sure the slings or chains chosen to secure the light complies with the security standards in the country you are in.

Risk of electric shock and fire

- High voltage when using with the powerbox and External power supply !
- Use only the power supplies sold by DMG Lumière to power the lights.
- When inputting 220V or 110V AC current, make sure the power supply is connected to the ground before using.
- Do not open the product. There are no user serviceable parts inside.

Overheating

- Do not operate the product if the ambient temperature exceeds 40° C.
- Intensive use can cause the surface to become hot .
- Let the product cool down completely before you handle it.
- Do not cover the air vents !

Intense light

- Do not look at the light directly

Warnings

- Stage and Studio Use Only
- Dry Location Only
- Hazardous Voltage
- Risk of Electrical Shock
- Disconnect Power Before Servicing
- Not For Residential Use

Power Cut Safety

- If power is cut inadvertently the controls will turn back on automatically when power is back.
- The controls will always turn back on in the last state it was.
- The last state of controls is automatically saved every three seconds.

Approvals

EU Safety :

- EN 55015:2013
- EN 61547:2009
- EN 61000-3-2:2014
- EN 61000-3-3:2013
- EN 61000-4-2:2009
- EN 61000-4-3:2006+A1:2008+A2:2010
- EN 61000-4-4:2012
- EN 61000-4-5:2006
- EN 61000-4-6:2009
- EN 61000-4-8:2010
- EN 61000-4-11:2004
- EN 62471

FCC :

- 47 CFR of part 15

Certifications

ROHS :

- EPA3050B:1996
- EN1122B:2011
- EPA3052:1996
- EPA7196A:1992
- APE3540C:1996
- EPA8270D:2007

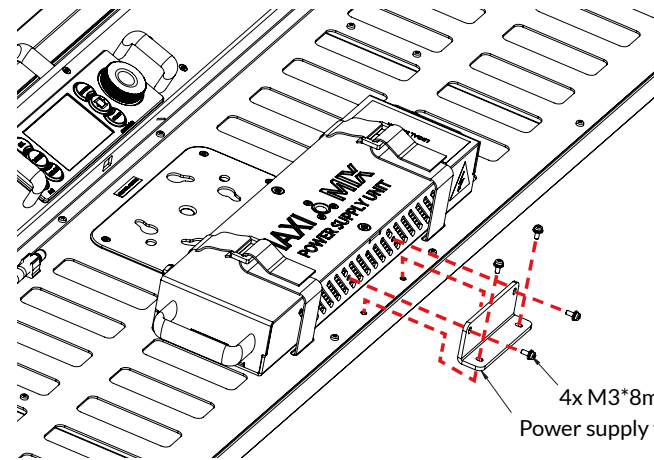
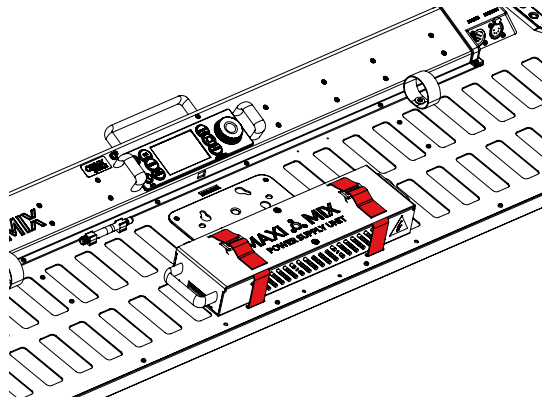
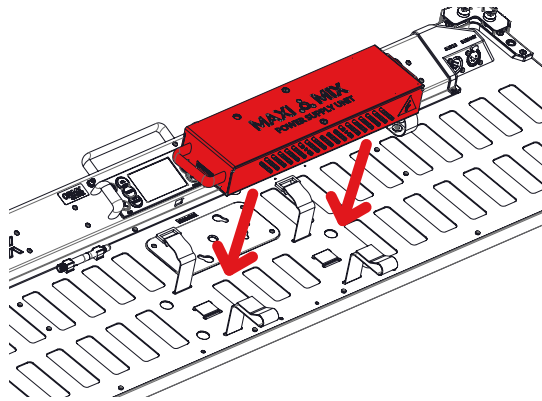
DANGER!

Risk of injury or death through epileptic seizure when using the strobe effect.

Do not use the effect near stairways, in corridors or near public exits.
Provide advance notice that strobe lighting is in use. Display advisory notices on the set, at the point of ticket sales, on tickets if possible, in the program, and at the entrance(s) to the venue or studio. Avoid extended periods of continuous flashing, particularly at frequencies of 10 to 20 flashes per second. At flash rates below 5 flashes per second, it is estimated that only 5% of flicker-sensitive persons will be at risk of seizure. Make sure that personnel at the venue are trained in the care of a person who is having an epileptic seizure and able to provide care if necessary.
If strobes are in use and a person has a seizure, switch the strobes off immediately.
Mount strobes as high above head height as practicable.

MAXI MIX POWER SUPPLY UNIT

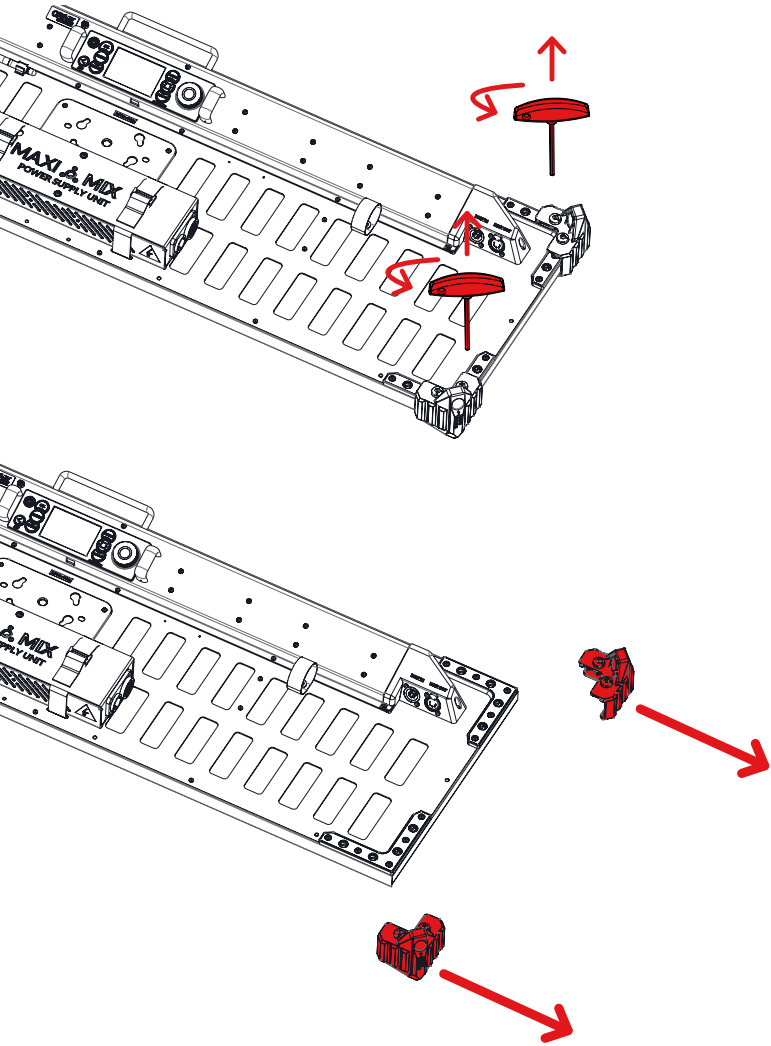
Attaching and securing the power supply:



4x M3*8mm screw + spring washer + washer
Power supply fixing plaque

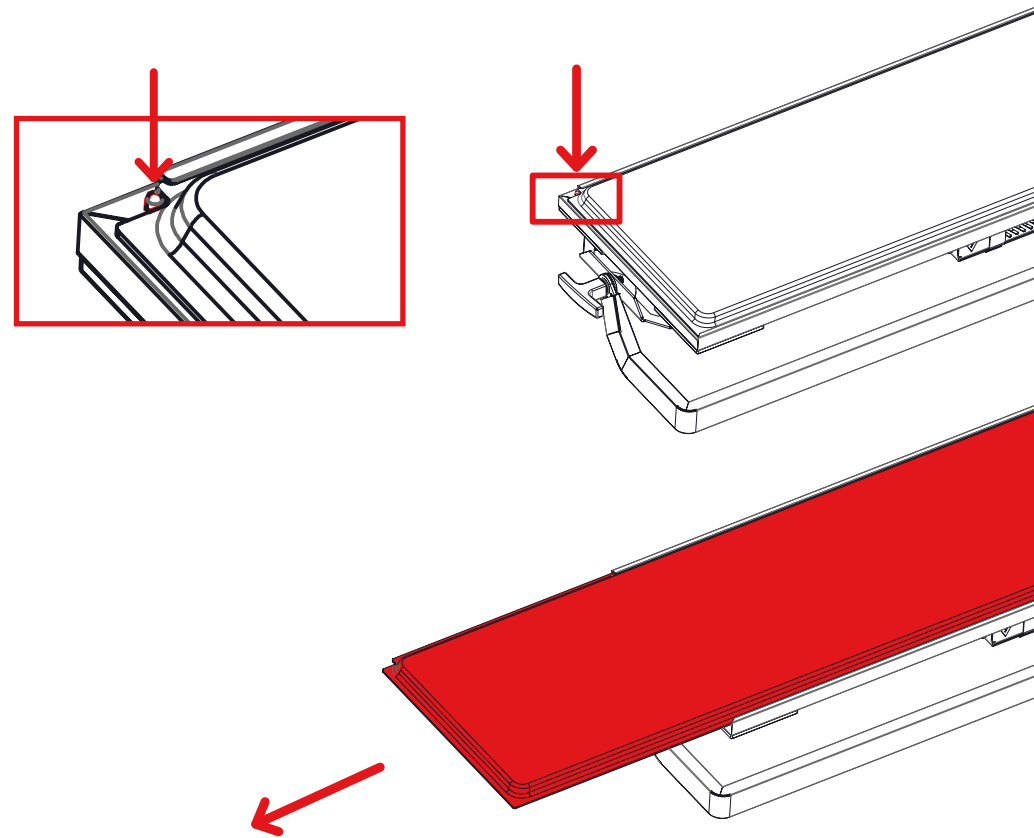
CORNERS

Remove the corners to access the diffuser.
Use the provided Allen key.



DIFFUSION

Push the spring-loaded pin to slide the diffuser out.

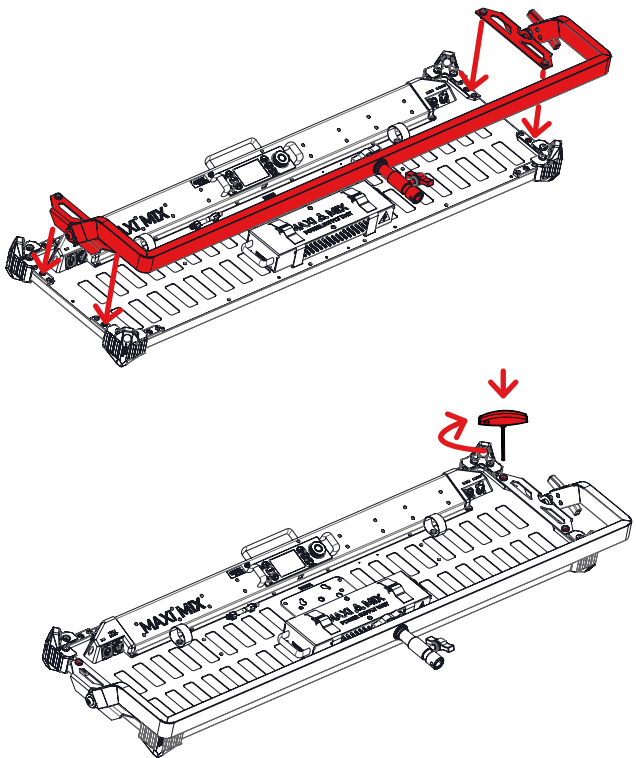


USER MANUAL - MAXI MIX - ASSEMBLY AND MOUNTING

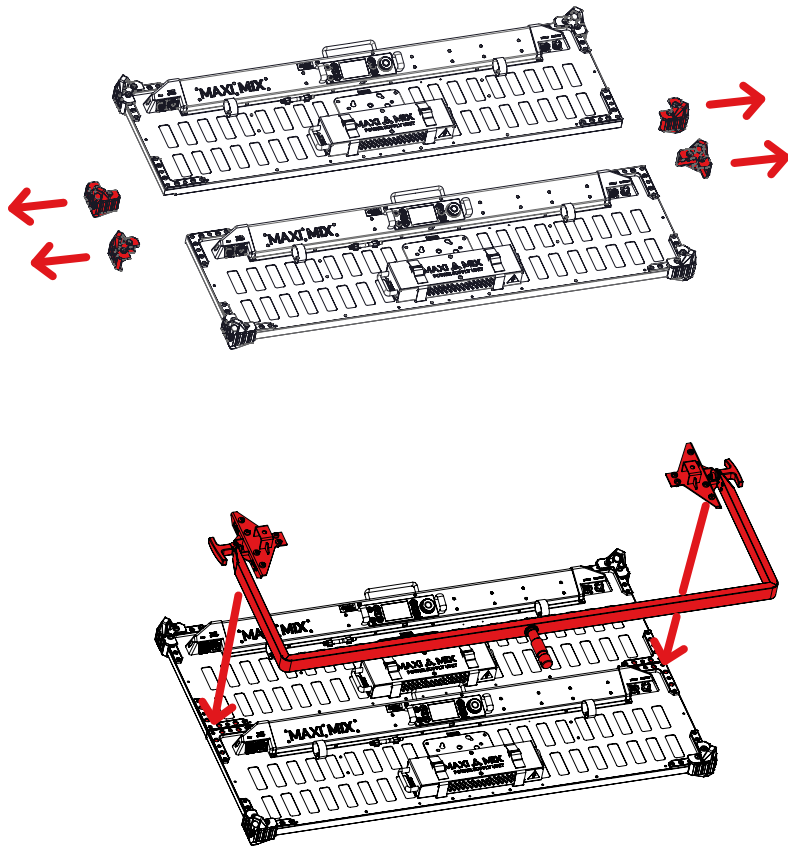
The 1/4 turn locking system ensures speed with security. Using the Allen Key provided, in a clockwise motion, you will hear a 'CLICK' sound, which verifies the fastener is locked in place. To unlock, repeating the same movement in an anticlockwise motion will unlock the fastener.

WARNING - If you have not heard the fastener 'CLICK', this means it has not been locked safely.

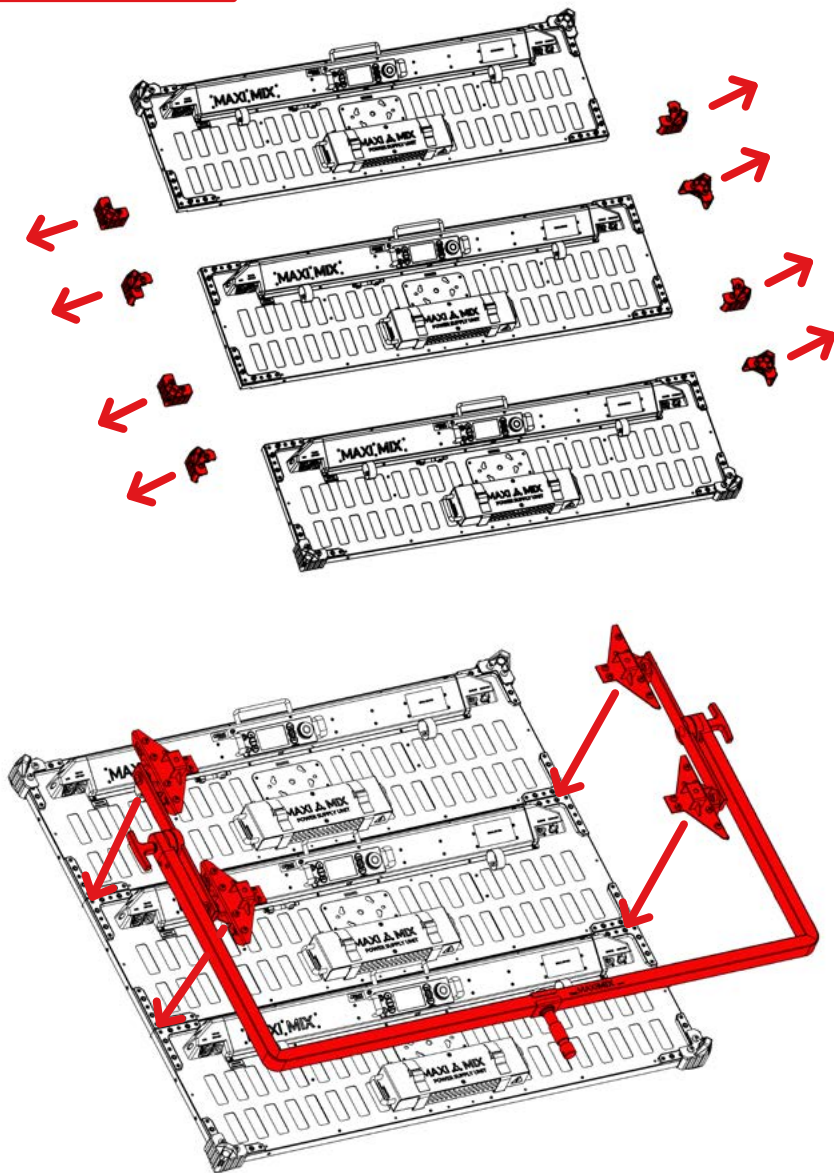
SIMPLE YOKE



DOUBLE YOKE

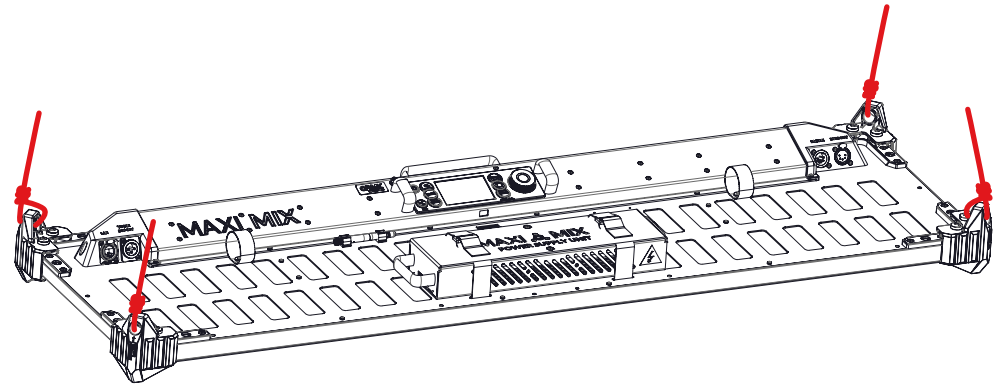


TRIPLE YOKE



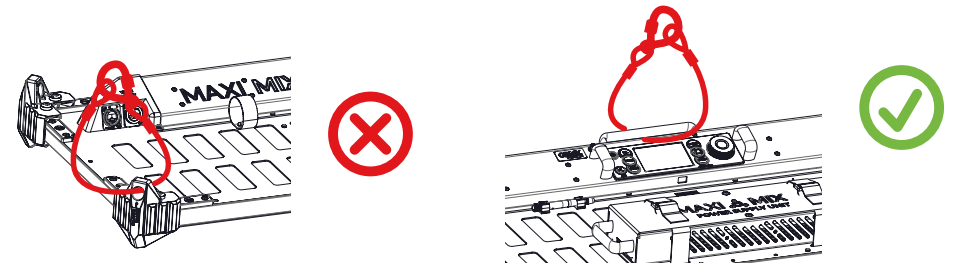
CORNER RIGGING

Protection corners are designed to enable 4-point rope hanging for specific applications.



IMPORTANT NOTICE 1:


Protection corners are not to be used for safety slings. Always use the handle for security cables.

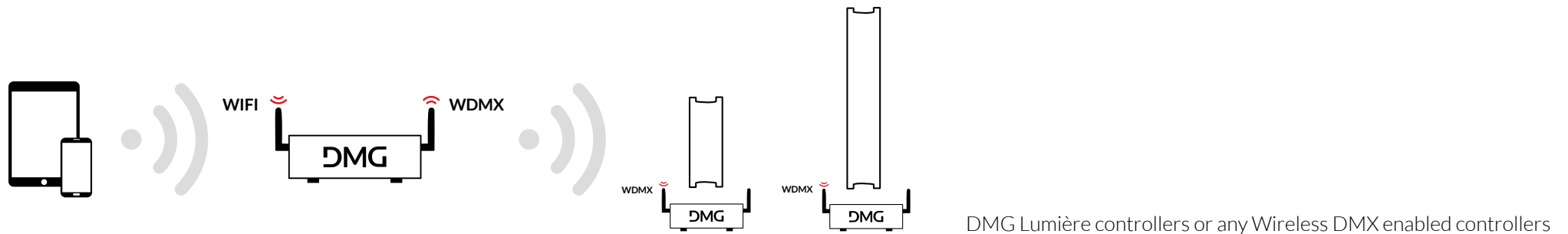
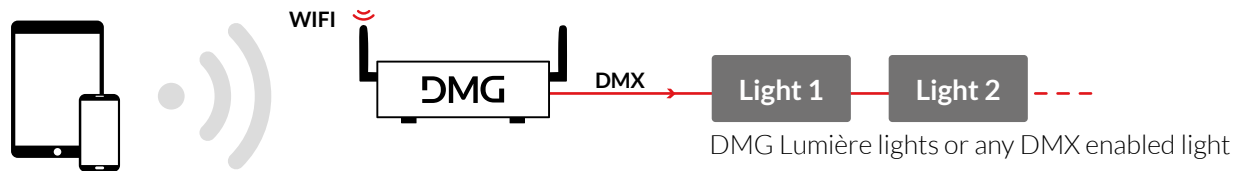
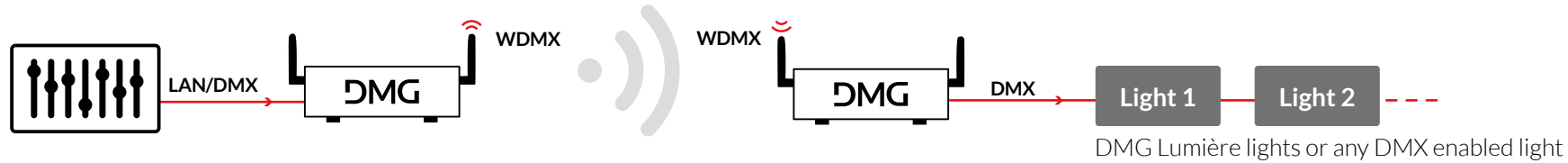


IMPORTANT NOTICE:

This is not to be used on a double MAXI MIX or any configuration where the LINK2 and LINK4 accessories must be used for hanging.

USER MANUAL - MIX CONTROLLER USAGE EXAMPLE

Our wireless DMX is compatible with any  lumenradio powered devices.



MYMIX APP IS COMPATIBLE WITH ANY MIX CONTROLLERS.

USER MANUAL - MAXI MIX CONTROLLER

Download the User Guide for the MIX Controller 2.1 here:

[MAXI MIX I DMG Lumière](#)

Ensure you are using the most recent MIX Firmware here:

[Firmware MIX 2.1 | DMG Lumi Lumière](#)

