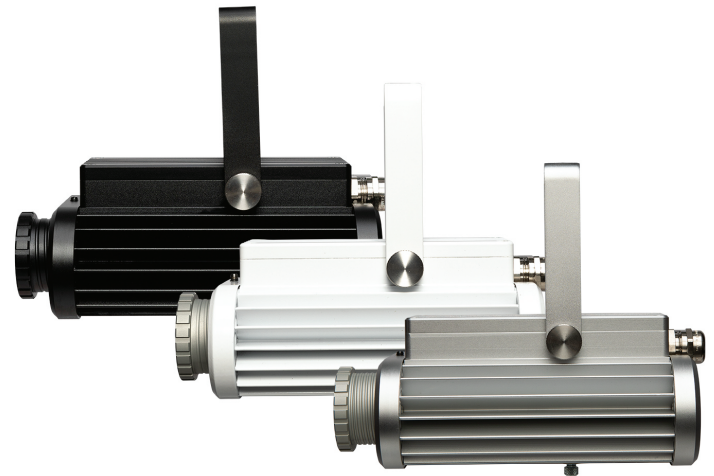


## Brilliant Imaging.

Crystal clear optics allow you to project vivid images and messaging up to 40 ft. (12m) away! Using a mere 45W of power, the Image Spot LED projector packs an amazing amount of light output from a versatile and compact design.

The cool white or warm white LEDs ensure bright imaging in virtually any environment. An available filter kit allows the Image Spot to be used to illuminate subjects in museums, themed entertainment and hospitality venues.

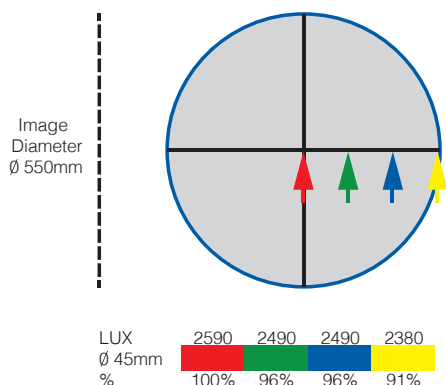
Project:	Type:
Quantity:	Location:



### KEY FEATURES

- 40W LED array with 10°, 19°, 25° or 30° beam optics provide superb image uniformity and fringe-free shadows
- IP40 rating for indoor use or IP65 rating for outdoor use HT variant for high ambient temperature environments
- Accepts Rosco Image Spot Gobos and Permacolor Dichroic Glass Color Filters
- Available OPTI-FLECS filter packs for beam diffusion
- Accepts universal line voltage input allowing operation anywhere around the globe
- DMX512 compatibility provides flicker-free dimming throughout the range: 100% ~ 0%
- 0-10V, DMX, DALI & Push to DIM dimming options
- Passive cooling means operation is completely silent
- Standard Color Options: Black, White and Silver

### Superior Uniformity Across Entire Field



## SPECIFICATIONS

Input Voltage:	100-277VAC (V1:100-240VAC)
Power Consumption:	45 Watts at maximum output
Color Temp. Options:	5500K or 3000K or UV
CRI:	5500K Model: 80 3000K Model: 95
Output:	5500K Model: 1300 lumens 3000K Model: 750 lumens
Lumen Maintenance:	50,000 hours at 45°C (LM-79-08)
Power Connection:	6.5 ft (2m) insulated standard (IP40) or hybrid data/mains cable (IP65) (Connectors not included.)
Data:	DMX512, 0-10V, DALI, Push DIM Options RJ45 Connector (IP40) In and thru, hybrid power & data cable (IP65)
DMX Addressing:	RDM functionality available for addressing
Dimensions:	Image Spot (including yoke): 7.8 in x 4.8 in x 6.8 in (198mm x 123mm x 172mm)  Image Spot HT (including yoke): 9.3 in x 4.8 in x 6.8 in (236mm x 123mm x 172mm)
Weight:	Image Spot: 5.5 lbs (2.5 kg)  Image Spot HT: 5.9 lbs (2.7 kg)
Operating Temp.:	Image Spot: -13° to 104° F (-25° to 40° C)  Image Spot HT: -13° to 122° F (-25° to 50° C)
Humidity:	0 - 95% non-condensing
Housing:	Anodized Aluminum Extrusion
Approvals:	ETL / UL Standards #62368-1 and #60950-22 cETL / CSA C22.2 #62368-1 and #6095-22 CE IP40 Rated (indoor use) or IP65 Rated (outdoor use)

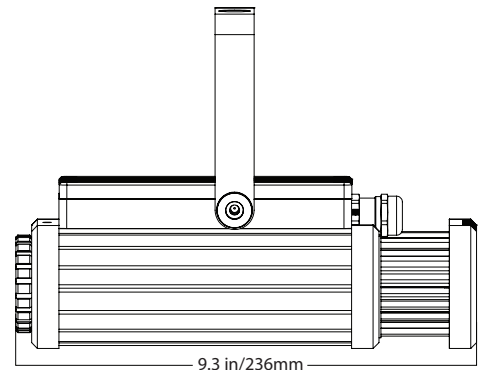
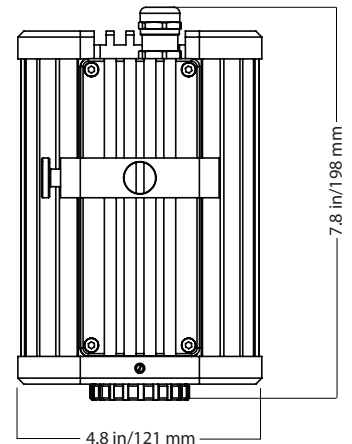
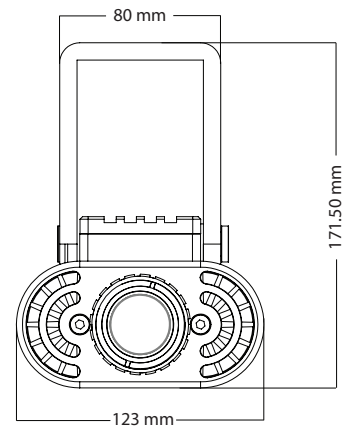
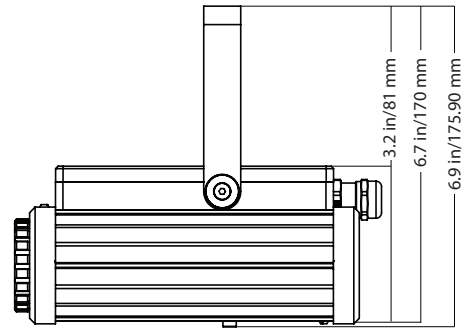


Image Spot® HT



## SPECIFICATION ORDER CODES

UNIT	CCT	Finish	Data Transfer	Mounting	Lens	Optional Accessory
Image Spot ST Image Spot IP Image Spot HT	3 - 3000K 5 - 5500K U - UV O - Custom*	B - Black W - White S - Silver C - Custom RAL	A - DMX/RDM, RJ45 (IP40 Only) B - DALI, RJ45 (IP40 Only) C - Push DIM, RJ45 (IP40 Only) 0 - 0/10V, No Connector 1 - DMX/RDM, No Connector 2 - DALI, No Connector 3 - Push to DIM, No Connector	F - Full Yoke Y - Track Mount L - Floor Mount W - Wall Mount C - Ceiling Mount P - Pole Mount N - N/A	T - 10 degree 1 - 19 degree 2 - 25 degree 3 - 30 degree N - No Lens	S - Snoot N - N/A
Example: ImageSpot ST	3	B	1	F	T	N

ie. ImageSpot ST-3B1FTN =  
Image Spot Standard, 3000K CCT, Black, DMX/RDM, No Connector, Full Yoke, 10 degree Lens, with no additional accessories.

\*Custom color temperature available with minimum order quantity, price difference and longer lead time. For more information please contact [Project.Management@Rosco.com](mailto:Project.Management@Rosco.com)

Name: \_\_\_\_\_ Date: \_\_\_\_\_

Company Name: \_\_\_\_\_

Project: \_\_\_\_\_

Image Spot® Accessories	
Item Code	Description
296 00001 0013	Image Spot OPTI-FLECS Filter Pack
296 00001 0052	Image Spot Lens Cover Kit
296 00001 0017	Image Spot USB to RJ45 Programming Cable
296 00001 0011	Image Spot USB to RS485 Programming Cable
296 00001 0012	Image Spot Safety Cable, 3ft (1m)
296 00000 5001	Rosco Pole Mount Accessory - Black
296 00000 5002	Rosco Pole Mount Accessory - White
296 00000 5003	24" Stainless Steel Strap Rosco Pole Mount Kit - 3-Pack
296 00000 5004	Rosco Wall Mount Accessory - Black
296 00000 5005	Rosco Wall Mount Accessory - White

## Image Spot Gobos & Permacolor Filters

For optimum image quality and performance, use Rosco Image Spot Gobos and Permacolor Filters, which feature custom bezels that enable a secure fit inside the Image Spot gobo cassette.

Image Spot® Gobos	
Item Code	Description
<b>Standard Gobos</b>	
XXXXX-SPOT	Image Spot Standard Gobo XXXXX = The five digit standard gobo number
<b>Custom Gobos</b>	
250 7210I SPOT	Image Spot Custom Steel Gobo
260 CUSBW OSPO	Image Spot Custom B&W Glass Gobo
260 CUS1C OSPO	Image Spot Custom One-Color Glass Gobo
260 CUS2C OSPO	Image Spot Custom Two-Color Glass Gobo
260 CUSMC OSPO	Image Spot Custom Multi-Color Glass Gobo

Permacolor™ Dichroic Filters	
Item Code	Description
1203 XXXX SPOT	Image Spot Permacolor Dichroic Glass Filter XXXX = the four digit color number (includes bezel to fit inside gobo cassette)